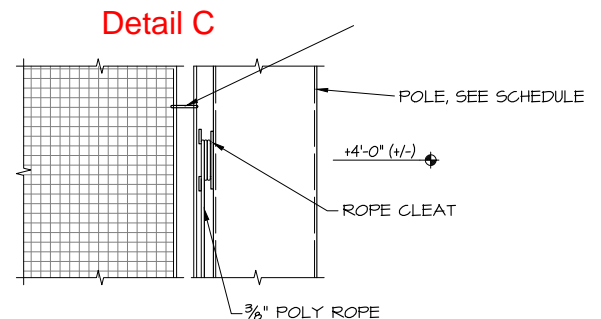
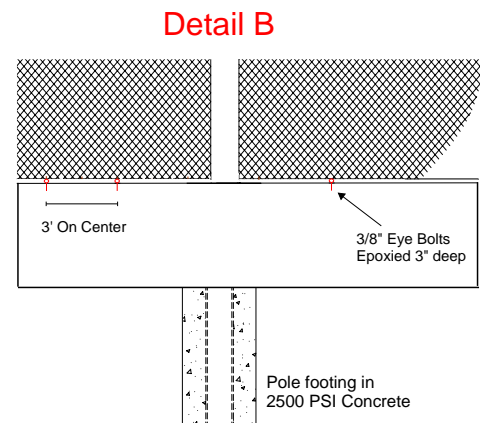
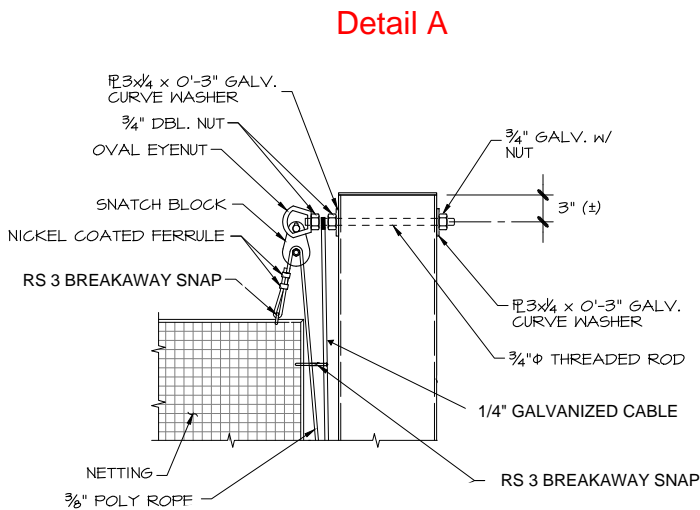
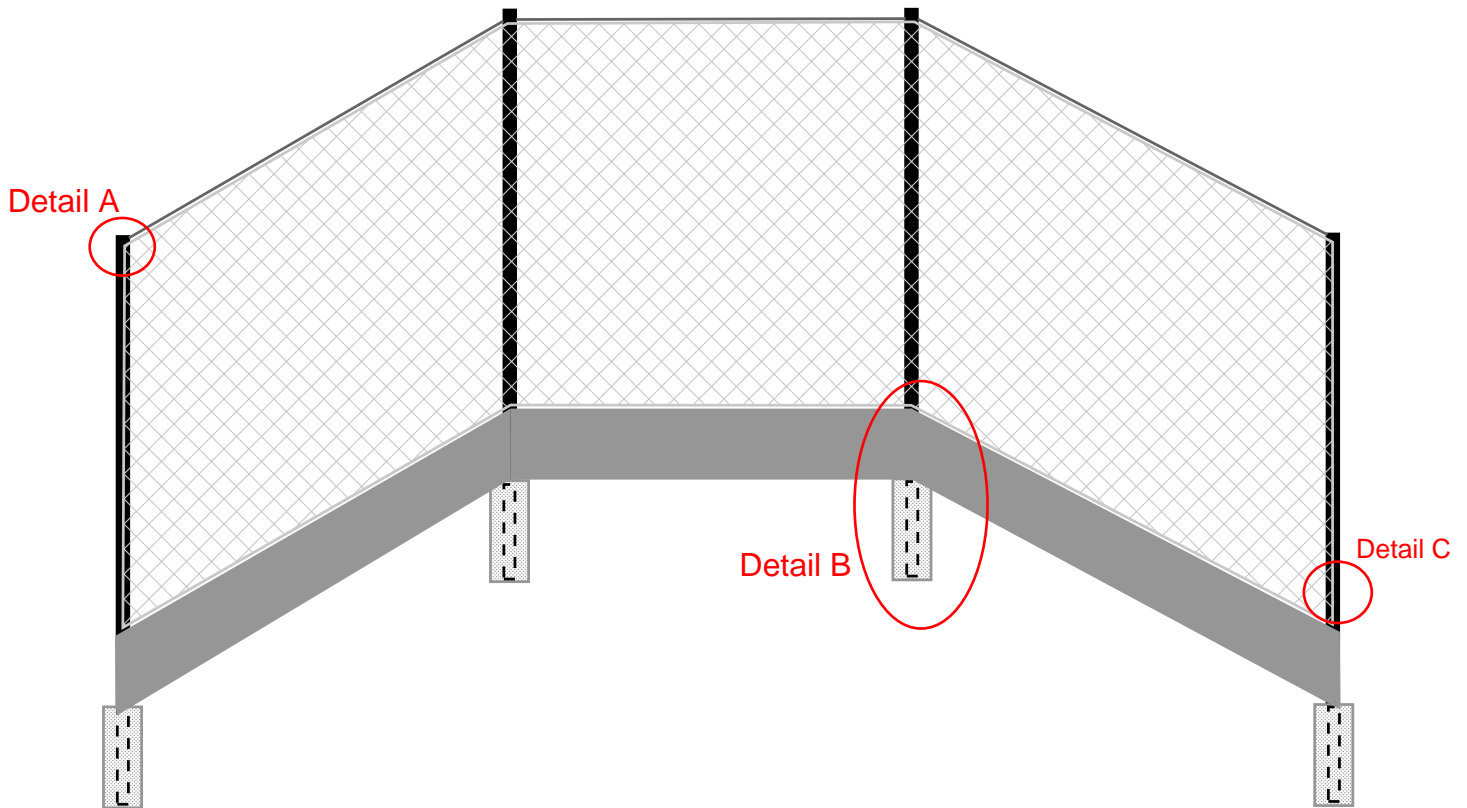


Designed for safety. Built for fun.



Additional Notes:

- Features steel poles with Stealth Black paint
- Pole sizes & footing based on soil conditions & wind loads
- Fence below installed by others
- Drawings not to scale
- Rope cleat can be substituted with a manual winch

In-Line Net Backstop w/Wall Below; Raise/Lower