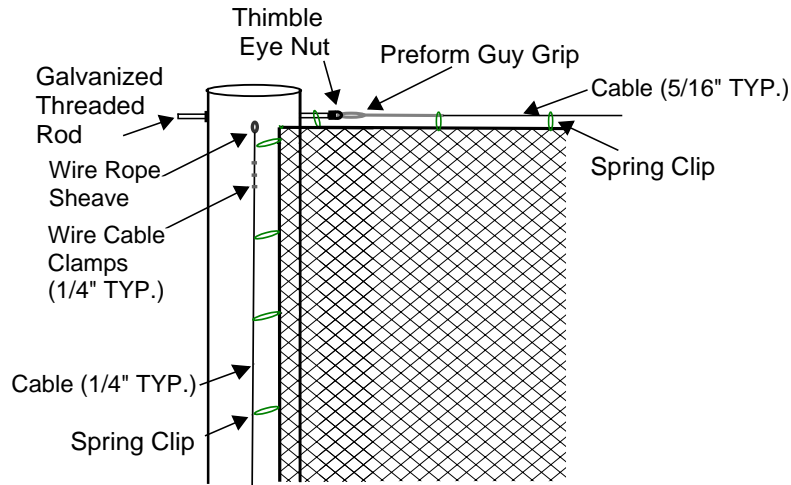
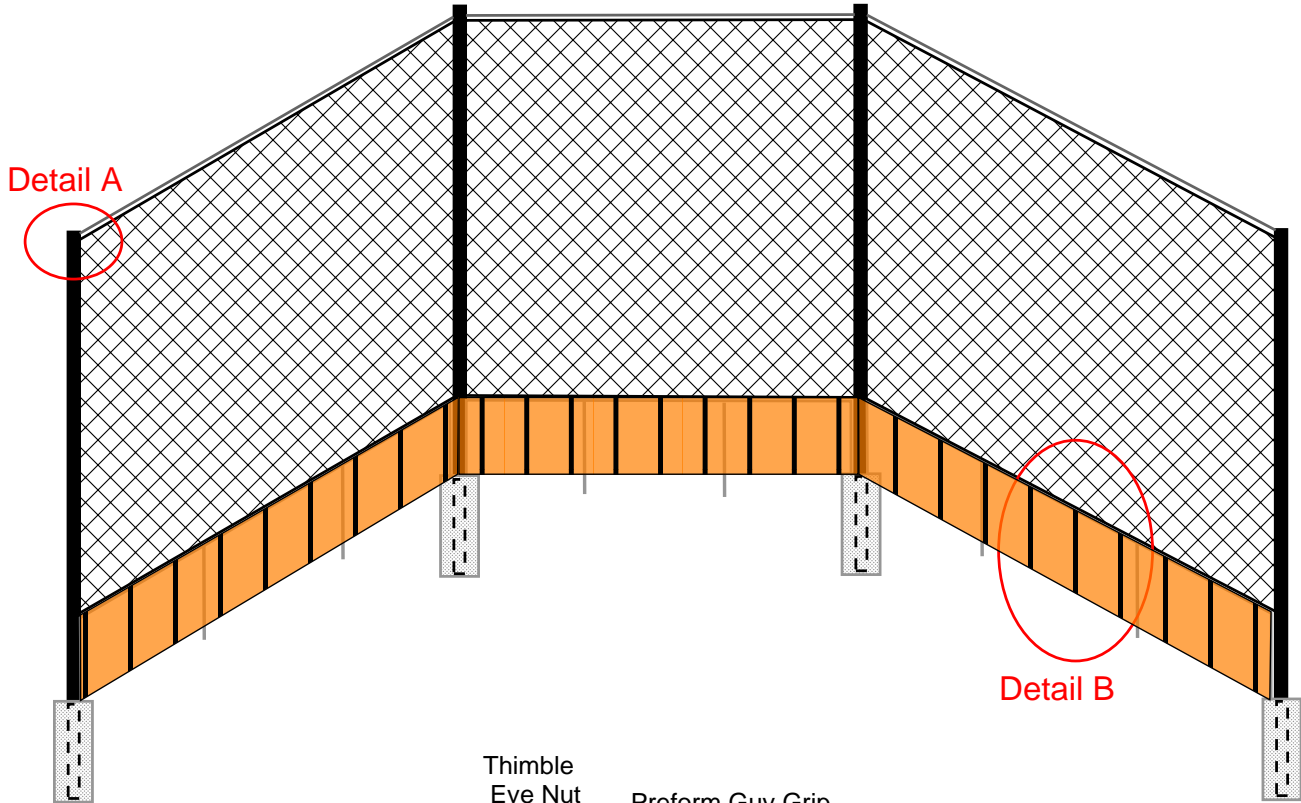


*Designed for safety. Built for fun.*



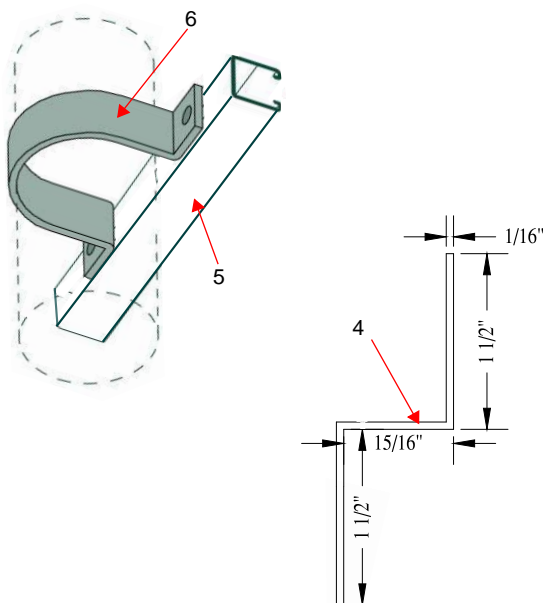
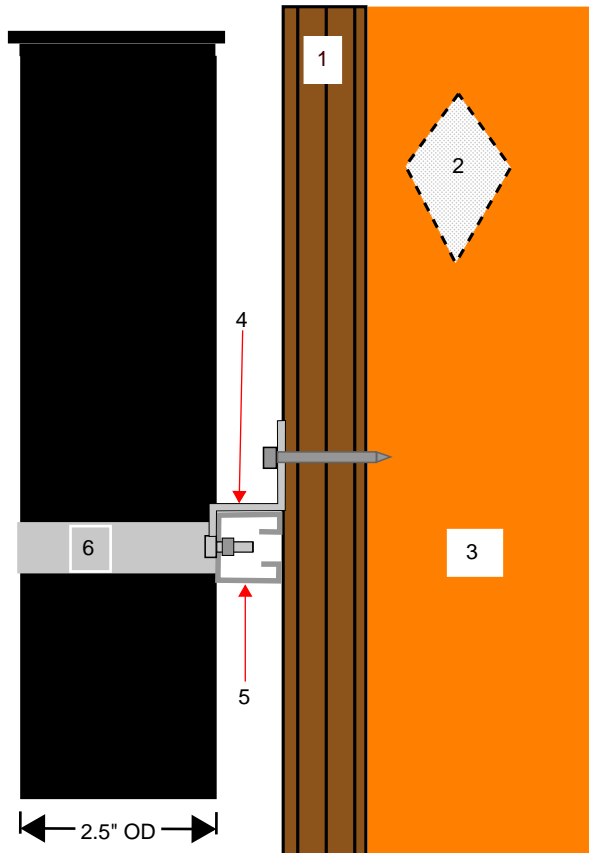
**Detail A**

**Additional Notes:**

- Features steel poles with Stealth Black paint
- Pole sizes & footing based on soil conditions & wind loads
- Fusion wall posts set 4' OC max
- Drawings not to scale

**In-Line Net Backstop System with Fusion Wall**

*Designed for safety. Built for fun.*



#### **#1 – OSB (Oriented Strand Board)**

- A Grade Finish Surface
- 23/32" Thick
- Painted with Acrylic Coating in Black

#### **#2 – 3" High Impact Foam**

- Density: 1.5 ± 0.1 lbs. PCF
- Indentation Force Deflection:
  - 25%: 75 ± 6 lbs.
  - 65%: 135 ± 6 lbs.
- Resilience (% Rebound): 48 ± 1
- Tensile Strength: 15 psi
- Tear Strength: 2 lbs./inch
- Static Fatigue:
  - % Loss @ 25% IFD: 25%
  - % Loss in Thickness: 2%
- Antimicrobial added to mitigate fungal growth

#### **#3 – Advantage MVP Vinyl**

- Total Weight: 18.5 oz./yd<sup>2</sup>
- Construction: 18 x 17/1" by 1000 x 1300 Denier
- Grab Tensile: 157 x 185 lbs./1"
- Tongue Tear: 132 x 91 lbs.
- Adhesion: 26 lbs./2"
- Emboss/Finish: Matte
- Cold Crack: -30° F
- Treatments: UV & BACshield
- Fire Retardant: Self-Extinguishing/Passes FR
- Various Standard Color Options
- Optional: Custom Graphics

#### **#4 – Zues Clip**

Attached with 1" Galvanized Screws to OSB  
Overlaps UNISTRUT Between Posts

#### **#5 – UNISTRUT**

1-5/8" x 13-16" Slotted Standard  
2 UNISTRUT's Per Pad

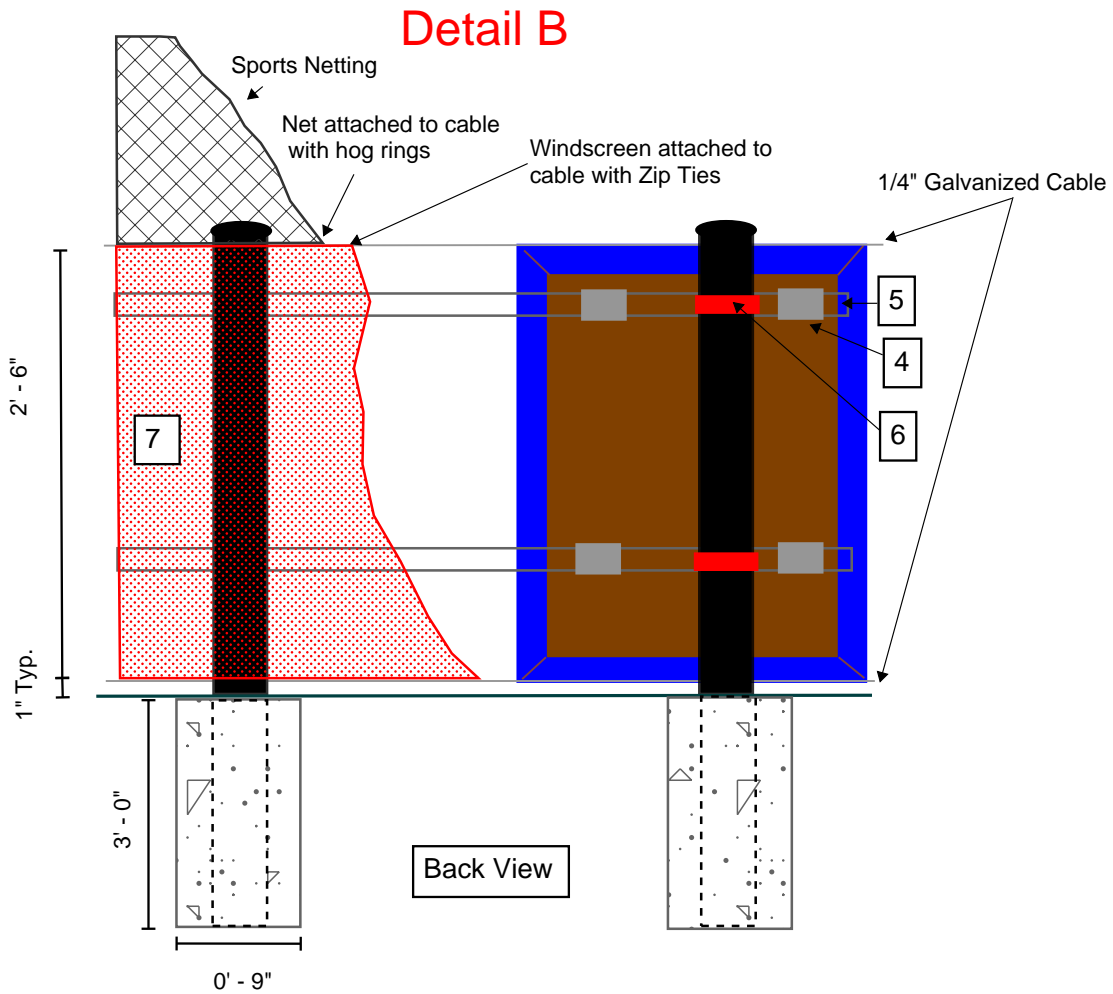
#### **#6 – 2 Hole Pipe Strap**

Attached to UNISTRUT with Galvanized  
Bolt & Nut

#### **#7 – Windscreen**

Ultra Plus Windscreen to Be Hung from  
Back of System to Conceal Hardware

*Designed for safety. Built for fun.*



*Designed for safety. Built for fun.*

## Ultra90 Specifications

### COLORS

WHITE

RED

BROWN

GREY

NAVY

BLUE

TAN

ROYAL

BLUE

BLACK

GREEN



**Material:** High Density Knitted Polyethylene

**Standard Heights:** 3'8" (for 4' chain link) 5'8" (for 6' chain link) 7'8" (for 8' chain link)

**Density:** 90%

**Weight:** 5 oz/sq-yd (ASTM-D3776)

**Tear Strength:** Warp 51lbs/Fill 52lbs (ASTM-D 5587, Opt #1)

**Breaking Strength:** Warp 107lbs/Fill 125lbs (ASTM-D5034)

**Bursting Strength:** 202 psi (ASTM-D3786)

**Thread:** #135 Polyester

**Hems:** 3-ply reinforced with a polypropylene binding

**Grommets:** #2 brass grommets every 12" with triple grommeted corners

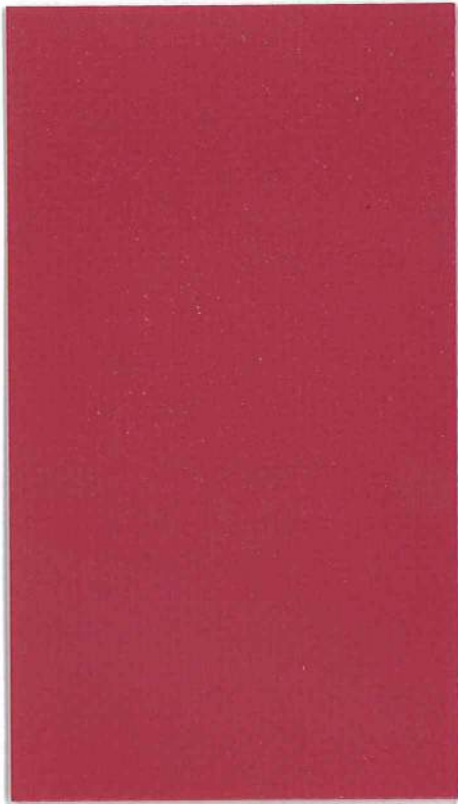
**Grommet Strip:** \*\*Standard on Hts Over 8'\*\*\* #2 brass grommets every 24"

### Limited Warranty 4 Years

Constructed with high density polyethylene for excellent outdoor longevity. It is also knitted, so if the material is cut or torn it will not unravel. Available in 3 different finishing options:

- **150' Rolls** – Extra polyethylene yarn is knitted into the top and bottom edges so Ultra 90 is ready to install right off the roll.
- **150' Plus Rolls** – Top and bottom edges are sewn with a double-stitch 3-ply hem and grommets every 12". The ends can be cut on site and folded over for reinforcement.
- **Custom** – All edges are sewn with a double- stitch, 3-ply hem and grommets every 12". Panels are custom cut to your specifications.

*Designed for safety. Built for fun.*



Scarlet Red



Black\* Navy\* True Blue



Regal Blue Royal Blue\* Carolina Blue



Marine Blue Forest Green Green\*



Lime Green Purple Maroon



Burgundy Cardinal Red Red\* Bright Pink Brown\*



Tan\* Orange\* Tangerine Yellow\* Charcoal Grey\*



Grey\* Steel Grey Light Grey White\*

## Padding Color Options