

Designed for safety. Built for fun.



Dugouts are a critical component of player safety and comfort at any ballpark. Protecting athletes during rain delays and from damaging UV rays is exactly what these dugouts do while giving your ballfields the wow factor to keep teams coming back.

Features:

Pre-engineered all steel structure is supported with 3"x3" steel columns. Columns are plate-mounted and anchored to a thickened edge cement pad pursuant to local building codes. The frame is finished with Industrial Tnemec paint and backed by a 40-year finish warranty.

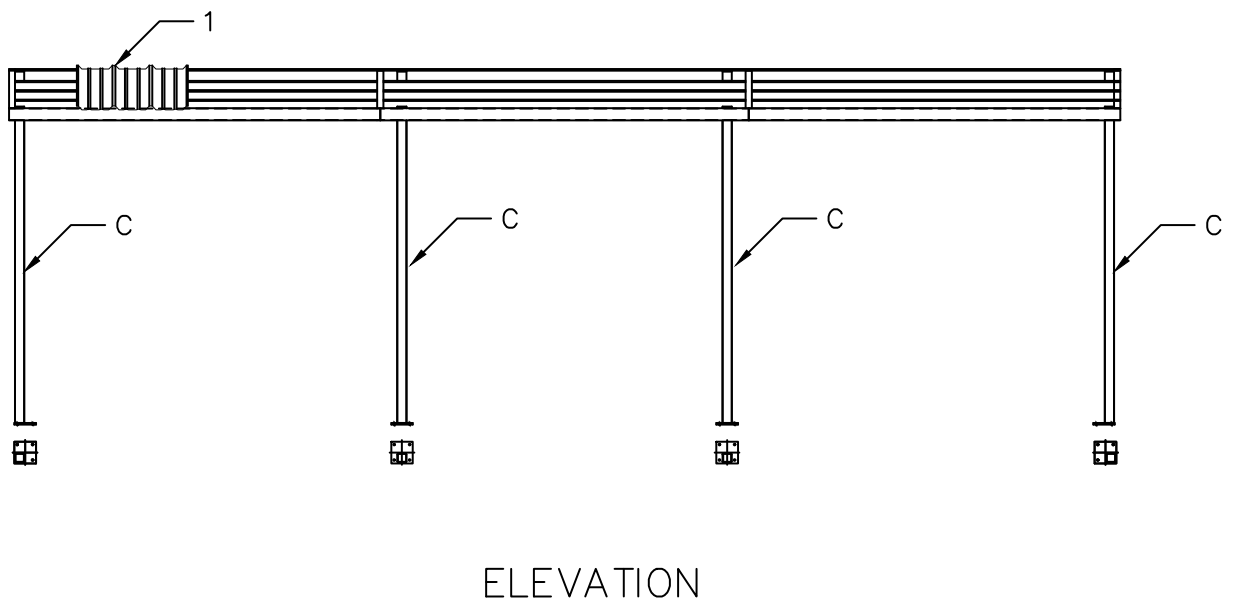
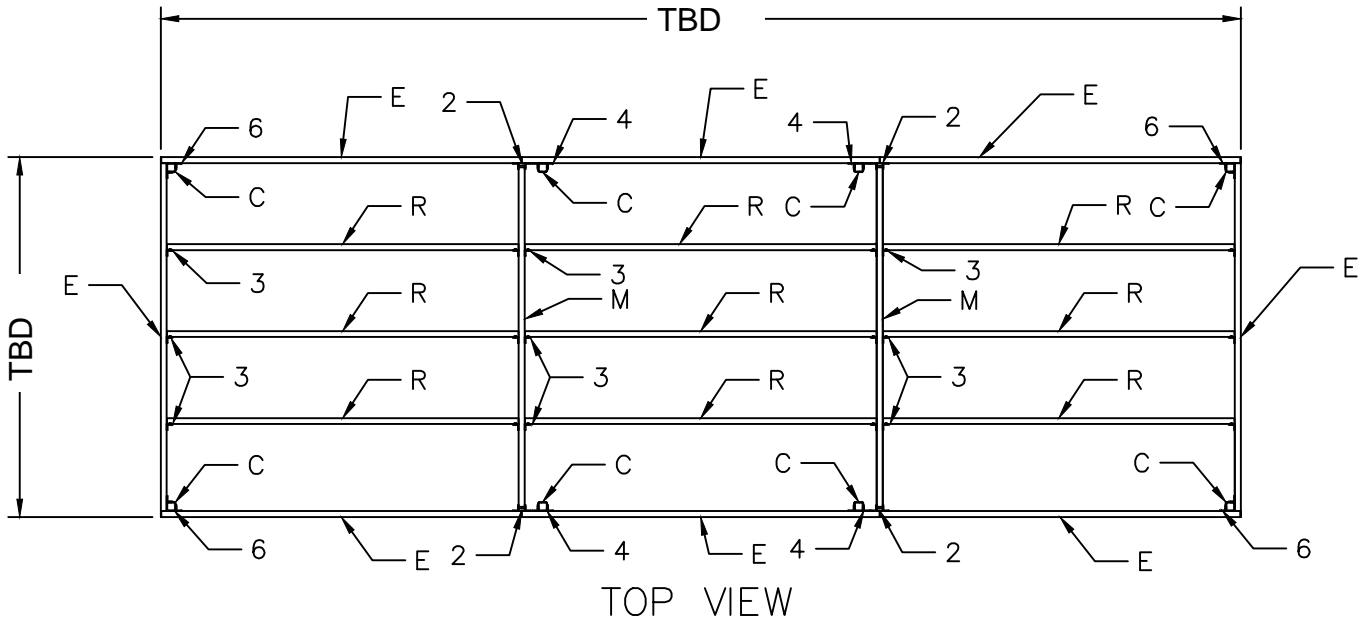
24 gauge metal roof is dent resistant & heavy load bearing compared to most competitive systems 26 or 29 gauge metal roofs. Available in many color & trim options.

Standard size options include 20', 30', and 40' lengths and 8' or 10' depths. Sizing can be easily customized to fit the need.

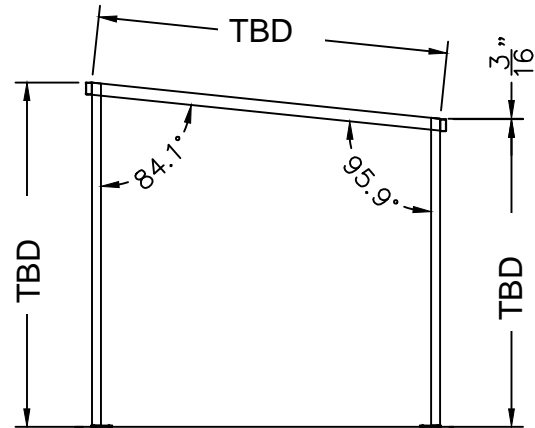
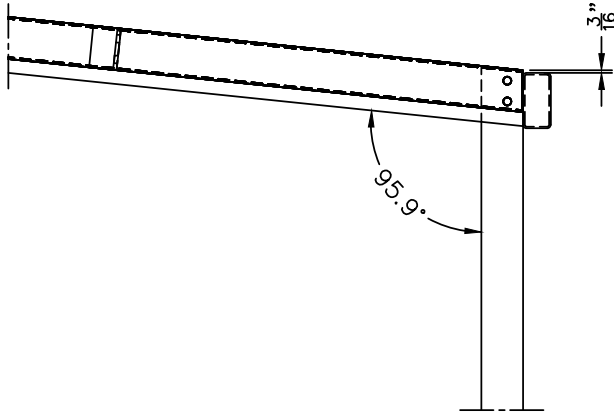
Ten-year material warranty.

Easy assembly with limited personnel. All parts are marked for assembly and come with simple to follow step by step instructions.

Designed for safety. Built for fun.



Designed for safety. Built for fun.



SECTION VIEW

GENERAL NOTES:

CODES AND SPECIFICATIONS

1. IBC 2018
2. ASCE 7-16 MIN DESIGN LOADS FOR BUILDINGS AND OTHER STRUCTURES
3. AISC 360-16 CODE OF STD PRACTICE FOR STEEL BUILDINGS

MATERIALS

- STEEL TUBES = ASTM A513 OR A500 MIN
- STEEL PLATE = A36 MIN
- FIELD BOLTS = 1/2" DIA A325 MIN, GALV
- ALL SHOP WELDS TO BE 3/16" FILLET UNLESS NOTED OTHERWISE

ROOF PANELS

- PBR PANEL 1-1/4"x24GAx36" COVER MFR BY METAL SALES OR EQUAL
- LENGTHS AS REQUIRED, 2-SPAN MIN

DESIGN LOADS

1. ROOF LOAD
 - LIVE LOAD 20 PSF MIN (SNOW)
2. WIND LOAD
 - BASIC WIND SPEED (ULTIMATE 3-SEC GUST) 115 MPH (90 MPH3-SEC GUST ASD)
 - WIND EXPOSURE - C
 - Kz = 0.85
 - Kzt = 1.0
 - Kd = 0.85
 - G = 0.85

FOUNDATIONS

1. CONCRETE SPECIFIED MINIMUM COMPRESSIVE STRENGTH OF 2,500PSI AT 28 DAYS
2. CONCRETE REINFORCING STEEL SHALL CONFORM TO ASTM A615, GRADE 60
3. ALLOWABLE SOIL BEARING PRESSURE (NET) - 1500 PSF
4. CAST IN PLACE ANCHOR RODS = ASTM F1554 GR55, GALV, UNO
5. FROST LINE DEPTH = 36"