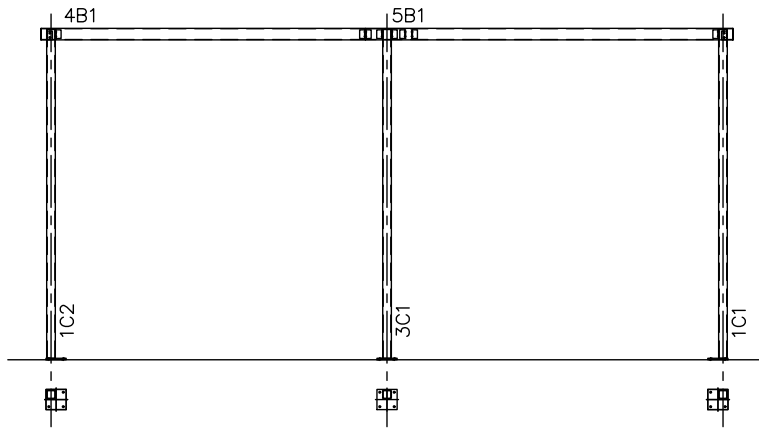
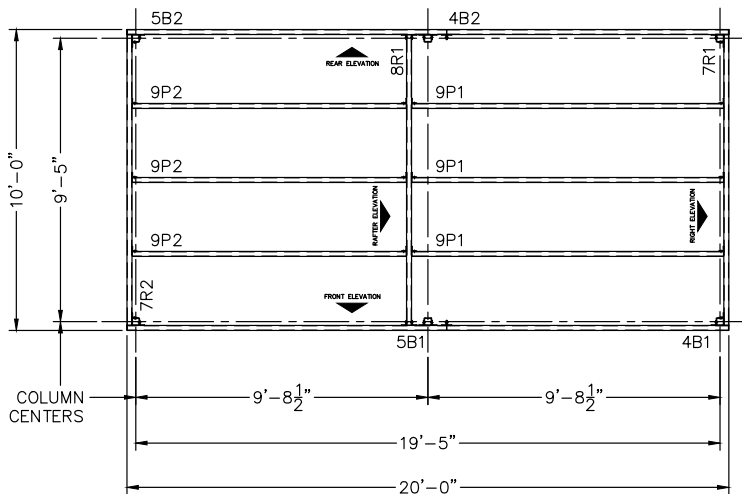


*Designed for safety. Built for fun.*

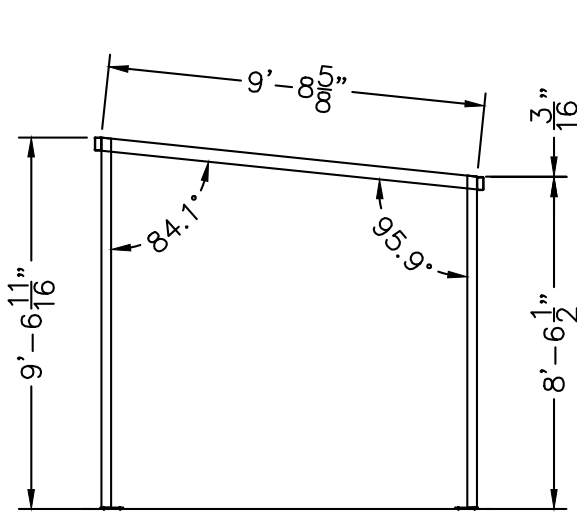


FRONT FRAMING ELEVATION  
 VIEW FROM INSIDE

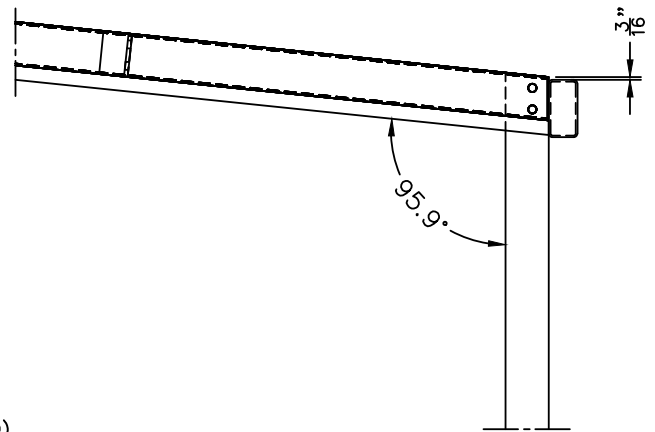
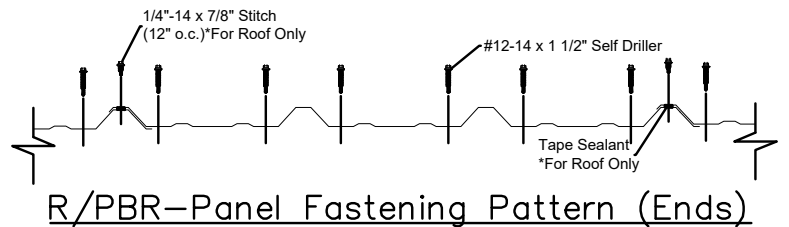
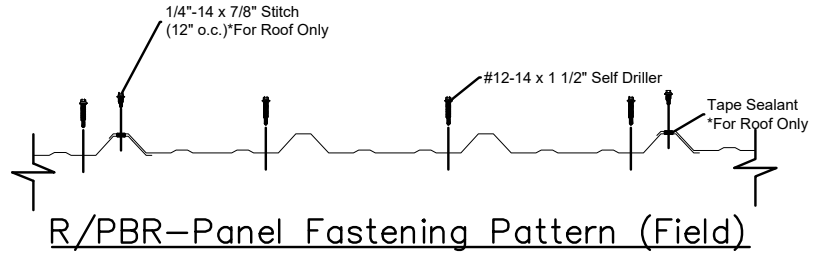


ROOF FRAMING PLAN  
 FRONT

*Designed for safety. Built for fun.*



SECTION VIEW



**GENERAL NOTES:**

**CODES AND SPECIFICATIONS**

1. IBC 2018
2. ASCE 7-16 MIN DESIGN LOADS FOR BUILDINGS AND OTHER STRUCTURES
3. AISC 360-16 CODE OF STD PRACTICE FOR STEEL BUILDINGS

**MATERIALS**

- STEEL TUBES = ASTM A513 OR A500 MIN
- STEEL PLATE = A36 MIN
- FIELD BOLTS = 1/2" DIA A325 MIN, GALV
- ALL SHOP WELDS TO BE 3/16" FILLET UNLESS NOTED OTHERWISE

**ROOF PANELS**

- PBR PANEL 1-1/4"x24GAx36" COVER MFR BY METAL SALES OR EQUAL
- LENGTHS AS REQUIRED, 2-SPAN MIN

**DESIGN LOADS**

1. ROOF LOAD
  - LIVE LOAD 20 PSF MIN (SNOW)
2. WIND LOAD
  - BASIC WIND SPEED (ULTIMATE 3-SEC GUST) 115 MPH (90 MPH3-SEC GUST ASD)
  - WIND EXPOSURE - C
  - Kz = 0.85
  - Kzt = 1.0
  - Kd = 0.85
  - G = 0.85

**FOUNDATIONS**

1. CONCRETE SPECIFIED MINIMUM COMPRESSIVE STRENGTH OF 2,500PSI AT 28 DAYS
2. CONCRETE REINFORCING STEEL SHALL CONFORM TO ASTM A615, GRADE 60
3. ALLOWABLE SOIL BEARING PRESSURE (NET) - 1500 PSF
4. CAST IN PLACE ANCHOR RODS = ASTM F1554 GR55, GALV, UNO
5. FROST LINE DEPTH = 36"

| MARK | QTY | DESCRIPTION             | MATERIAL         |
|------|-----|-------------------------|------------------|
| _B_  | 4   | ROOF BEAM               | TUBE 4 x 2 x 1/8 |
| _R_  | 3   | RAFTER                  | TUBE 4 x 2 x 1/8 |
| _P_  | 6   | PURLIN                  | TUBE 3 x 2 x 1/8 |
| 2    | 4   | 1/2x3-1/2 HEX BOLT SET  | GR.5 ZINC        |
| 3    | 24  | 1/2x3-1/4 HEX BOLT SET  | GR.5 ZINC        |
| 4    | 4   | 1/2x4-1/2 HEX BOLT SET  | GR.5 ZINC        |
| 5    | 4   | 1/2x1-1/2 HEX BOLT SET  | GR.5 ZINC        |
| 6    | 16  | 5/16 x 1 3/4 HOLLO BOLT |                  |

**ASSEMBLY NOTES:**

- MATCH TAGGED OR MARKED END OF PART TO PLAN
- BOLT SETS ARE BOLT, 2 WASHER, LOCK NUT