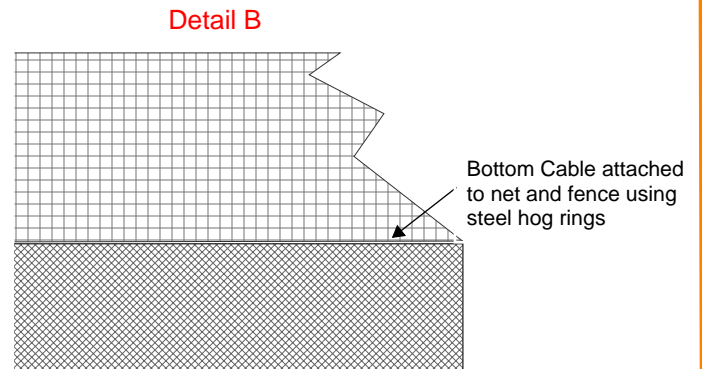
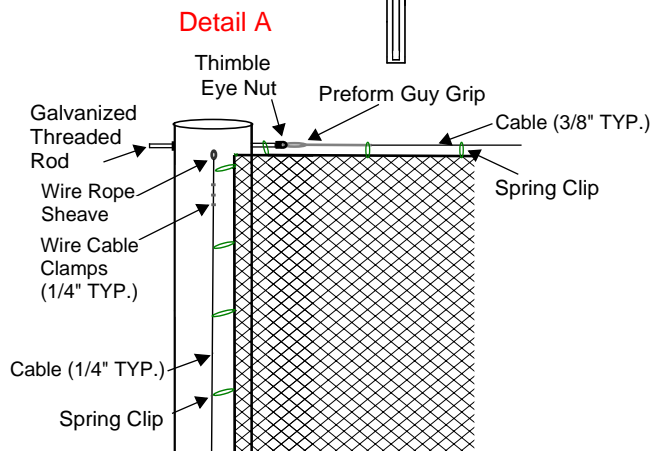
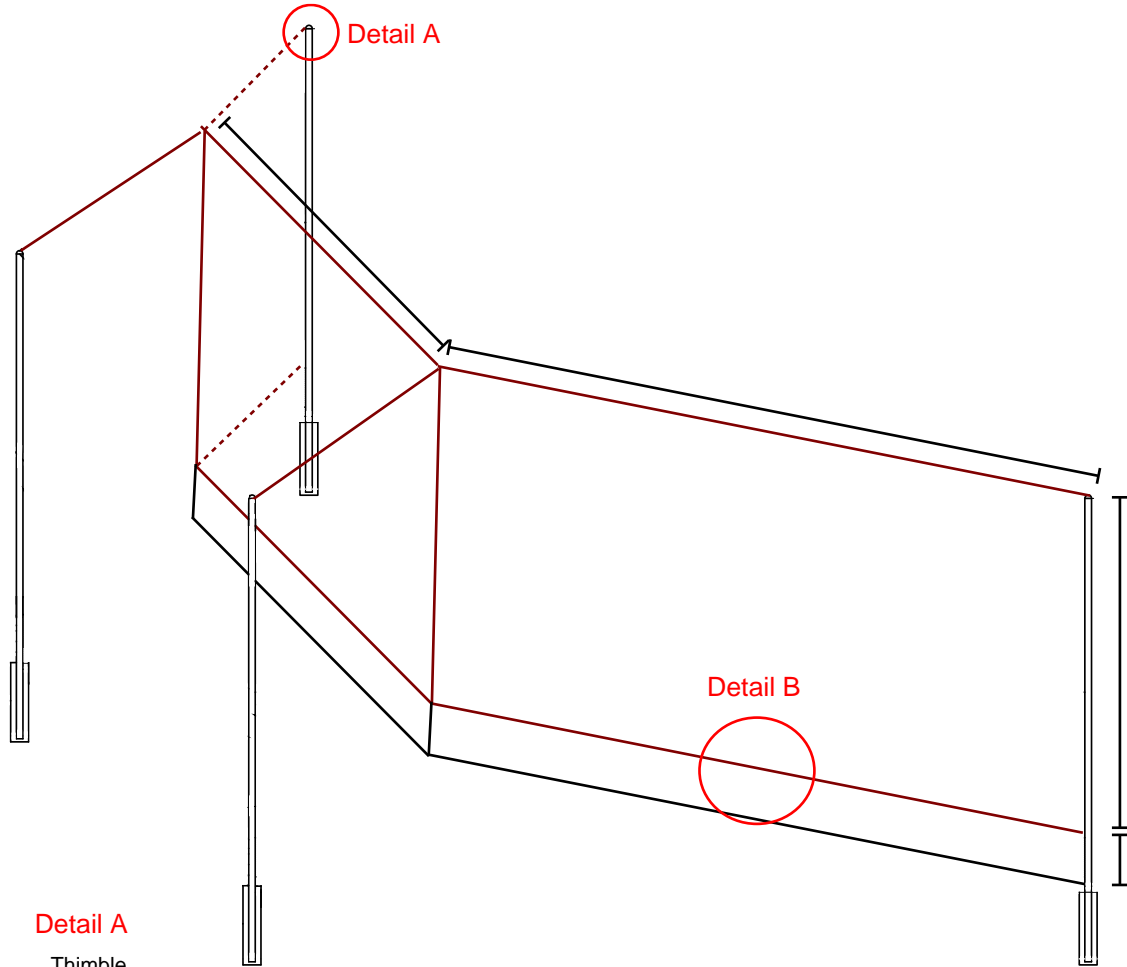


Designed for safety. Built for fun.



Additional Notes:

- Features steel poles with STRYK finish
- Pole sizes and footings based on soil conditions and wind loads
- Fence below installed by others
- Drawings not to scale

Tie Back Net Backstop System With Fence Below