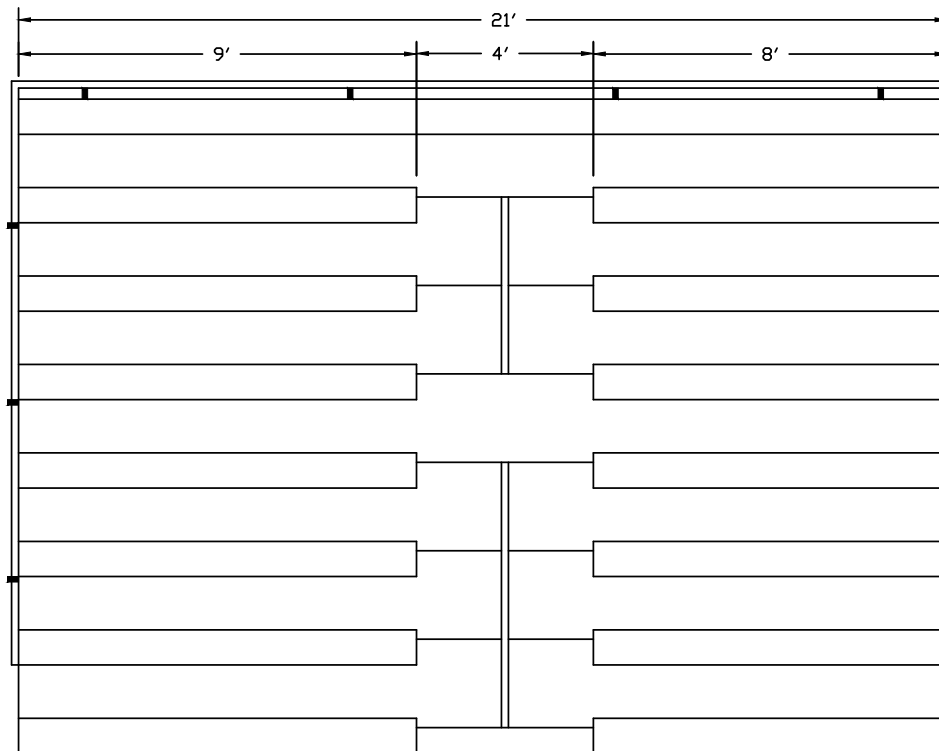


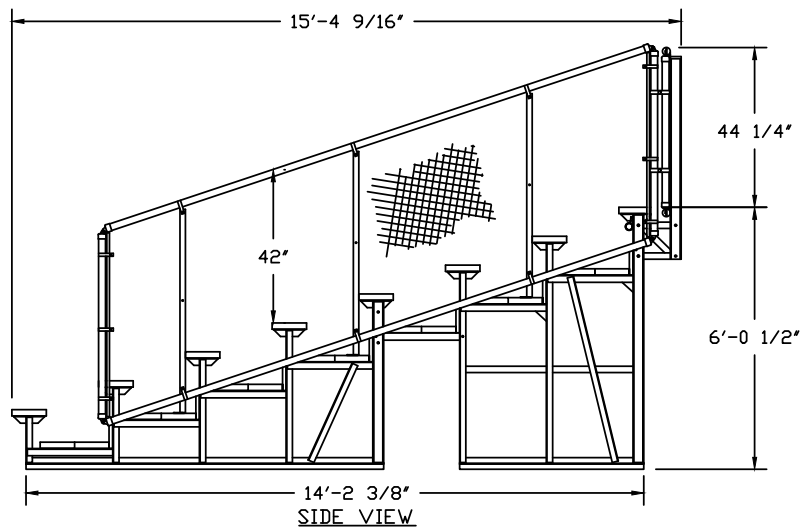
Designed for safety. Built for fun.



PLAN VIEW

GENERAL SPECIFICATIONS

- ALL ALUMINUM UNDERSTRUCTURE
- RISE - 8"
- RUN - 24"
- 2x10 ANODIZED SEAT PLANK
- DOUBLE 2x10 FOOTBOARDS - ALL ROWS
- RISER ENCLOSURE - ALL ROWS
- RISER CLOSURE RAIL - TOP ROW ONLY
- (1) 4' AISLE
- AISLE ENCLOSURES
- COLORED NOSE MARKINGS
- AISLE HAND RAILS
- CHAIN LINK FENCE SECURITY - (4" BALL)
- TREATED WOOD GROUND SILLS
- RECOMMEND CONCRETE PAD FOR ANCHORAGE (BY OTHERS)



SIDE VIEW

The Manufacturer warrants its bleacher products to be free from defects in materials and workmanship for a period of five (5) years beginning with the date the product is completed at the job site. Product installation can be performed by factory trained personnel or by the customer personnel following the detailed assembly instructions of the manufacturer. This warranty excludes all other defects resulting from abnormal use or abuse, accidental damage or any occurrences beyond the manufacturers control.

NET SEATING CAPACITY - 91

21' - 8 Level Bleacher w/ Center Aisle